

*Meals & Memories
are made here*



Get your dream kitchen at

MK WOOD

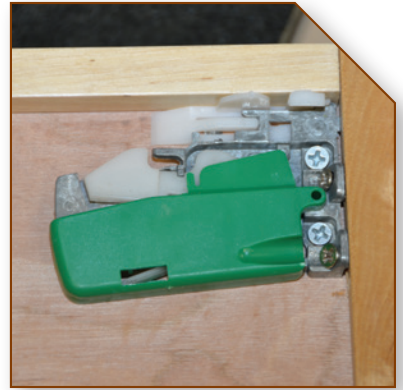


ELITE ROPE

SELECT GRADE

FEATURES:

- ¾" thick x 1½" wide solid wood face frame and panel.
- ½" thick plywood sides cabinet box.
- ¾" solid wood dovetailed drawer box sides.
- Dovetailed construction with corner bracing for extra support.
- ⅞" plywood adjustable shelf edge-banded.
- High quality steel, full extension drawer slides with soft close safety feature.
- Applied rope molding and nine piece raised panel drawer front.
- Heavy duty steel concealed, six way adjustable hinges with soft close feature.
- Full overlay mitered door construction.
- Solid birch stiles and rails .
- HDF central panel (to avoid cracks).
- Natural finish interior.





Elite Rope

Elite Rope offers the traditional Rope molding coupled with the Ivory color. It is like the past meets the present. The uniqueness of the Elite Rope is unquestionable and makes this line a thing of beauty. Its mitered raised panel door construction provides for durability and years of service.

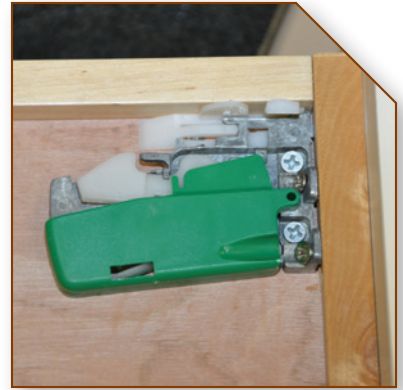


ANTIQUE WHITE

SELECT GRADE

FEATURES:

- ¾" thick x 1½" wide solid wood face frame and panel.
- ½" thick plywood sides cabinet box.
- ¾" solid wood dovetailed drawer box sides.
- Dovetailed construction with corner bracing for extra support.
- ⅞" plywood adjustable shelf edge-banded.
- High quality steel, full extension drawer slides with soft close safety feature.
- Full overlay tenon and mortise door construction.
- Applied moulding and five piece recessed panel drawer front.
- Heavy duty steel concealed, six way adjustable hinges with soft close feature.
- Full overlay door with mortise & tenon construction.
- Solid birch stiles and rails.
- HDF central panel (to avoid cracks).
- Natural finish interior.





Antique White

Features an old world white finish. Its antique white color makes it stand out from all other cabinets. This line is a thing of beauty. Coupled with the raised panel doors and raised trim accents, along with soft-closing drawers and doors that come standard. The Antique White cabinets will make any kitchen look amazing.



ARCTIC WHITE

PREMIUM GRADE

FEATURES:

- ¾" thick x 1½" wide solid wood face frame.
- ½" thick plywood sides cabinet box.
- ¾" solid wood dovetailed drawer box sides.
- Dovetailed construction with corner bracing for extra support.
- ⅞" plywood adjustable shelf edge-banded.
- High quality steel, full extension drawer slides with soft close safety feature.
- Five piece flat panel drawer front.
- Heavy duty steel concealed, six way adjustable hinges with soft close feature.
- Full overlay tenon and mortise door construction.
- Solid birch stiles and rails.
- HDF central panel (to avoid cracks).
- Matching finish interior.





Arctic White

A mix of Modern and traditional design. Straight lines designed doors that's decorated with transitional trim which guarantees everlasting style. Cheerful white color coupled with flat central panel give you a joyful feeling of a new beginning.

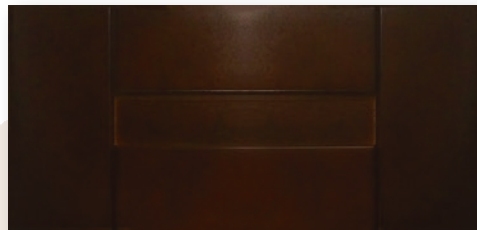


ESPRESSO SHAKER

PREMIUM GRADE

FEATURES:

- ¾" thick x 1½" wide solid wood face frame.
- ½" thick plywood sides cabinet box.
- ¾" solid wood dovetailed drawer box sides.
- Dovetailed construction with corner bracing for extra support.
- ⅞" plywood adjustable shelf edge-banded.
- High quality steel, full extension drawer slides with soft close safety feature.
- Five piece flat panel drawer front.
- Heavy duty steel concealed, six way adjustable hinges with soft close feature.
- Full overlay tenon and mortise door construction.
- Solid birch stiles and rails.
- HDF central panel (to avoid cracks).
- Matching finish interior.





Espresso Shaker

With its ebony dark color and V-groove shaker door style, the Espresso Shaker collection is the most daring look you can have for your kitchen. With its true elegance and connection between the old world and the very modern world looks, It's a clear statement of your style.





GABLE GRAY SHAKER

PREMIUM GRADE

FEATURES:

- ¾" thick x 1½" wide solid wood face frame.
- ½" thick plywood sides cabinet box.
- ¾" solid wood dovetailed drawer box sides.
- Dovetailed construction with corner bracing for extra support.
- ⅞" plywood adjustable shelf edge-banded.
- High quality steel, full extension drawer slides with soft close safety feature.
- Five piece flat panel drawer front.
- Heavy duty steel concealed, six way adjustable hinges with soft close feature.
- Full overlay tenon and mortise door construction.
- Solid birch stiles and rails.
- HDF central panel (to avoid cracks).
- Natural finish interior.





Gable Gray Shaker

Introducing the Gable Gray shaker cabinet, a sleek and sophisticated addition to any kitchen. Crafted from high-quality solid wood, this cabinet boasts both durability and timeless charm. Its soft-close feature adds a touch of luxury, ensuring gentle and silent closure every time. Transform your space with this exquisite gray shaker cabinet, merging elegance with practicality effortlessly.

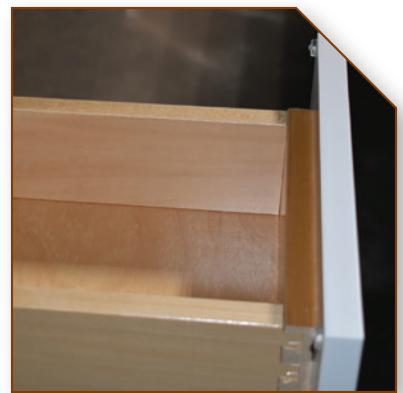


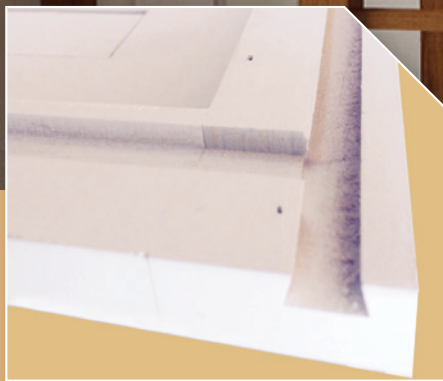
FROST SHAKER

PREMIUM GRADE

FEATURES:

- ¾" thick x 1½" wide solid wood face frame.
- ½" thick plywood sides cabinet box.
- ¾" solid wood dovetailed drawer box sides.
- Dovetailed construction with corner bracing for extra support.
- ⅞" plywood adjustable shelf edge-banded.
- High quality steel, full extension drawer slides with soft close safety feature.
- Five piece flat panel drawer front.
- Heavy duty steel concealed, six way adjustable hinges with soft close feature.
- Full overlay tenon and mortise door construction.
- Solid birch stiles and rails.
- HDF central panel (to avoid cracks).
- Natural finish interior.





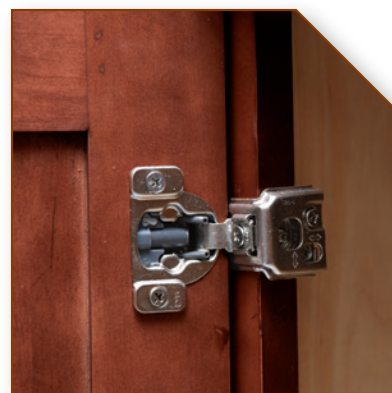
Frost Shaker

The Frost shaker cabinet is a modern world white finish. Its cheerful white color brings a pleasant light to your kitchen. The Shaker Style door reflects energy and elegance. This line is a charm. It's smooth style door coupled with soft-closing drawers and doors are reflection of beauty. The White Shaker cabinets will make your kitchen a look of happiness.



FEATURES:

- ¾" thick x 1½" wide solid wood face frame and panel.
- ½" thick plywood sides cabinet box.
- ¾" solid wood dovetailed drawer box sides.
- Dovetailed construction with corner bracing for extra support.
- ⅞" plywood adjustable shelf edge-banded.
- High quality steel, full extension drawer slides with soft close safety feature.
- Five pieces raised panel drawer front.
- Heavy duty steel concealed, six way adjustable hinges with soft close future.
- Full overlay tenon and mortise door construction.
- Solid wood raised central panel.
- Solid birch stiles and rails.
- Natural finish interior.





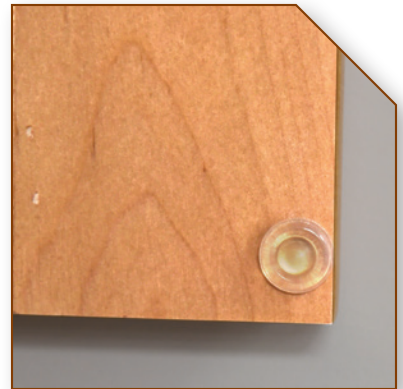
Brandy

The Brandy Line is a rich cherry color. It comes with under-mount soft close full extension drawer slides, its doors come with six way adjustable hinges with soft close feature and natural wood drawer boxes. Because of its rich color it goes well with any color palette and will make your kitchen look as elegant as ever.



FEATURES:

- ¾" thick x 1½" wide solid wood face frame.
- ½" thick plywood sides cabinet box.
- ¾" solid wood dovetailed drawer box sides.
- Corner metal bracing construction with L bracket bracing for extra support.
- ⅞" plywood adjustable shelf edge-banded.
- High quality steel, full extension drawer slides with soft close safety feature.
- Five pieces raised panel drawer front.
- Heavy duty steel concealed, six way adjustable hinges with soft close future.
- Full overlay tenon and mortise door construction.
- Veneered raised central panel.
- Solid birch stiles and rails.
- Matching finish interior.





Sunrise

Classy look with extraordinary quality is a perfect description of the Sunrise. Solid wood, full overlay and soft close doors and drawers provide for years of durability and functionality. Its warm pleasant color and its solid construction makes it many builders first choice.

Welcome

MK Wood is one of the fastest growing Kitchen Conglomerate in the United States. We Compromise on Price, not Quality.

We are a premier manufacturer and distributor of wholesale kitchen cabinets servicing clients nationwide. We only offer the highest quality cabinet products designed to give your kitchen the look and feel that you have always imagined. We pride ourselves in providing our Dealers with the best quality kitchen cabinets at unbeatable prices.

MK Wood products are made with high end imported components and assembled in the US, that significantly outshine competitively made kitchens of the same price bracket. So when dealing with the finery of **MK Wood** cabinetry, it's hard to believe that our solid wood products are considerably less expensive than domestically produced particle board kitchens.

MK Wood cabinetry features wood construction, superior hardware, and durable paints and finishes. We carefully designed each distinctive style to make sure your kitchen stands out.

Beauty. Function. Strength. Performance. Is what you'll find. These values are built into every **MK Wood** cabinetry product. Together they make up our quality assurance. It's our promise to you—one that we've been keeping right from the start. Our promise to deliver beautiful cabinet finishes that are also durable, unmatched in strength, and have lasting performance with our soft-close doors, drawers, roll-out- trays and pullouts.

At **MK Wood**, we keep our process simple by fine-tuning our operations and products to be as efficient as possible. As a certified member of the National Kitchen & Bath Association (**NKBA**), **MK Wood** demonstrates an ongoing commitment to sustainability. This includes the use of environmentally responsible materials in cabinet products and reduced environmental impact realized through recycling wastes and using low emission coatings. By achieving this **MK Wood** goes beyond minimum industry requirements and demonstrates leadership in a growing area of concern and importance.

So with **MK Wood** not only are you getting the finest cabinetry and highest quality at an affordable price, you are also keeping the earth a little more sustainable.





LIMITED LIFETIME AND LIMITED FIVE YEAR WARRANTY

WARRANTY COVERAGE

Limited Lifetime Warranty on Drawer Guides and Hinges. **MK WOOD** warrants to the original purchasing consumer, for as long as they own their home, that the drawer guides and hinges shall be free from defects in material and workmanship under normal use.

Limited 5 Year Warranty on Cabinets. These cabinets and related cabinet work assembled by **MK WOOD**, are warranted to the original purchasing consumer **FIVE YEAR** from the date of original purchase or as long as the original purchasing consumer owns the home, whichever is less, against avoidable and unnatural defects in material and workmanship under normal use.

Product must be registered within 90 days of purchase. To register your product please visit:
www.mkwoodcabinets.com/home-owner-corner

WARRANTY EXCLUSIONS

THIS WRITING IS THE COMPLETE AND EXCLUSIVE STATEMENT OF THE EXPRESS WARRANTIES PROVIDED HEREIN AND IS IN LIEU OF ALL OTHER EXPRESS AND/OR STATUTORY WARRANTIES BY THE MANUFACTURER, TO THE EXTENT PROVIDED BY LAW. THERE ARE NO IMPLIED WARRANTIES EXTENDING BEYOND THE TERMS OF THIS WARRANTY. MK WOOD SHALL NOT BE LIABLE FOR ANY INCIDENTAL OR CONSEQUENTIAL COSTS, EXPENSES OR DAMAGES. (Some states do not allow limitations or exclusions of incidental or consequential damages, so the above limitations and exclusions may not apply to you. This warranty gives you specific legal rights, and you may have other legal rights which vary from state to state).

WARRANTY LIMITATIONS

- THIS WARRANTY DOES NOT COVER PROBLEMS CAUSED BY IMPROPER INSTALLATION OF CABINETS, CABINETWORK, DRAWER GUIDES OR HINGES.
- THIS WARRANTY DOES NOT COVER ANY PRODUCT USED OR INSTALLED IN CONNECTION WITH CABINETS, SUCH AS GAS OR ELECTRIC APPLIANCES, COUNTERTOPS OR PLUMBING FIXTURES.
- THIS WARRANTY DOES NOT COVER DAMAGE CAUSED BY TRANSPORTATION, STORAGE OR EXPOSURE TO EXCESSIVE TEMPERATURES AND/OR HUMIDITY OR TO DEFECTS ARISING FROM MISUSE, NEGLIGENCE, ACCIDENT, ALTERATION, IMPROPER USE OR CARE OR FAILURE TO MAINTAIN.

WARRANTY DISCLAIMERS

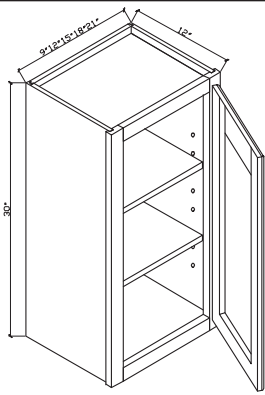
- This warranty is not transferable.
- Wood characteristics naturally occurring such as variations in color, grain, mineral streaks and knots are not considered defects.
- Color variations in cabinets are a natural occurrence due to species, age, character of cabinets, and exposure to UV light and sunlight. For these reasons, new and/or replacement cabinets may not match display samples and/or existing cabinets. Such variations and changes are not considered defects.

WARRANTY PERFORMANCE

If a manufacturing defect does occur within the terms and conditions of this warranty such defective part will be repaired or replaced by **MK WOOD**, as its sole option. **MK WOOD** will not provide or pay for the cost of removal of defective product, transportation of defective, repaired or replaced product or installation of repaired or replaced product.

Wall Cabinets 12" deep 30" High

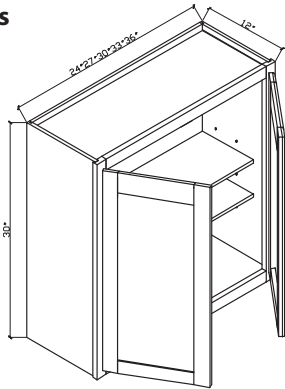
1 Door



ITEM	Description	SR	BR	FR	GS	ES	AR	AW	ER
W0930	09"Wx12"Dx30"H 1D 2S	124	144	181	181	208	208	208	233
W1230	12"Wx12"Dx30"H 1D 2S	148	160	200	200	230	230	230	258
W1530	15"Wx12"Dx30"H 1D 2S	161	184	219	219	252	252	252	282
W1830	18"Wx12"Dx30"H 1D 2S	179	207	242	242	279	279	279	313
W2130	21"Wx12"Dx30"H 1D 2S	201	229	292	292	336	336	336	377

Wall Cabinets 12" deep 30" High

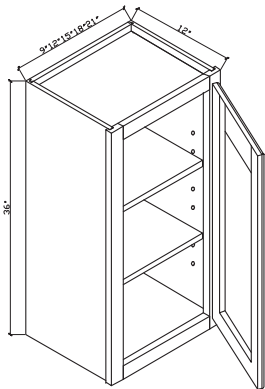
2 Doors



ITEM	Description	SR	BR	FR	GS	ES	AR	AW	ER
W2430	24"Wx12"Dx30"H 2D 2S	232	257	314	314	361	361	361	405
W2730	27"Wx12"Dx30"H 2D 2S	246	279	342	342	393	393	393	441
W3030	30"Wx12"Dx30"H 2D 2S	248	280	353	353	406	406	406	456
W3330	33"Wx12"Dx30"H 2D 2S	279	315	379	379	436	436	436	490
W3630	36"Wx12"Dx30"H 2D 2S	308	338	406	406	467	467	467	523

Wall cabinets 12" deep 36" High

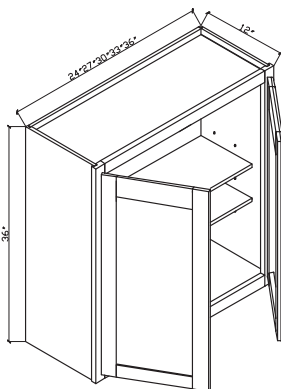
1 Door



ITEM	Description	SR	BR	FR	GS	ES	AR	AW	ER
W0936	09"Wx12"Dx36"H 1D 2S								234
W1236	12"Wx12"Dx36"H 1D 2S								272
W1536	15"Wx12"Dx36"H 1D 2S								309
W1836	18"Wx12"Dx36"H 1D 2S								334
W2136	21"Wx12"Dx36"H 1D 2S								389

Wall cabinets 12" deep 36" High

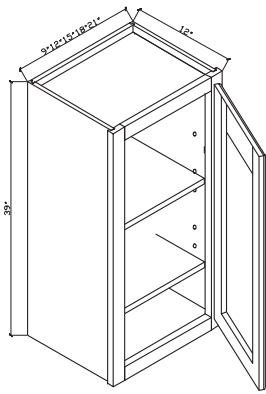
2 Doors



ITEM	Description	SR	BR	FR	GS	ES	AR	AW	ER
W2436	24"Wx12"Dx36"H 2D 2S								405
W2736	27"Wx12"Dx36"H 2D 2S								448
W3036	30"Wx12"Dx36"H 2D 2S								540
W3336	33"Wx12"Dx36"H 2D 2S								539
W3636	36"Wx12"Dx36"H 2D 2S								572

Wall cabinets 12" deep 39" High

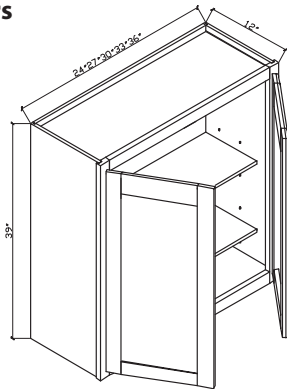
1 Door



ITEM	Description	SR	BR	FR	GS	ES	AR	AW	ER
W0939	09"Wx12"Dx39"H 1D 3S	200	229	229	264	264			296
W1239	12"Wx12"Dx39"H 1D 3S	232	242	242	279	279			313
W1539	15"Wx12"Dx39"H 1D 3S	259	263	263	302	302			339
W1839	18"Wx12"Dx39"H 1D 3S	284	292	292	336	336			377
W2139	21"Wx12"Dx39"H 1D 3S	316	349	349	401	401			450

Wall cabinets 12" deep 39" High

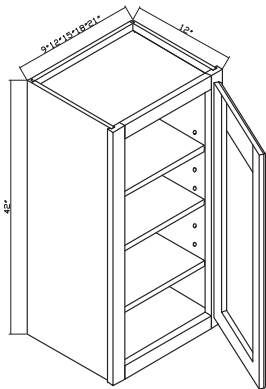
2 Doors



ITEM	Description	SR	BR	FR	GS	ES	AR	AW	ER
W2439	24"Wx12"Dx39"H 2D 3S	368	374	374	430	430			482
W2739	27"Wx12"Dx39"H 2D 3S	392	423	423	487	487			546
W3039	30"Wx12"Dx39"H 2D 3S	388	457	457	525	525			589
W3339	33"Wx12"Dx39"H 2D 3S	440	486	486	559	559			627
W3639	36"Wx12"Dx39"H 2D 3S	484	508	508	584	584			655

Wall cabinets 12" deep 42" High

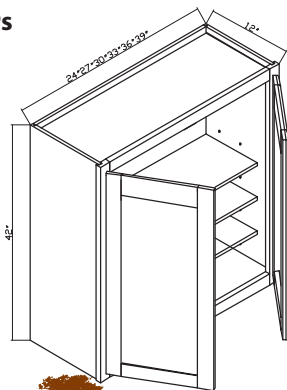
1 Door



ITEM	Description	SR	BR	FR	GS	ES	AR	AW	ER
W0942	09"Wx12"Dx42"H 1D 3S								300
W1242	12"Wx12"Dx42"H 1D 3S								331
W1542	15"Wx12"Dx42"H 1D 3S								356
W1842	18"Wx12"Dx42"H 1D 3S								400
W2142	21"Wx12"Dx42"H 1D 3S								458

Wall cabinets 12" deep 42" High

2 Doors

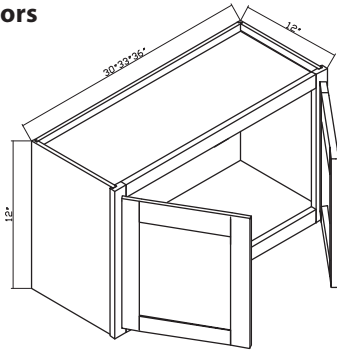


ITEM	Description	SR	BR	FR	GS	ES	AR	AW	ER
W2442	24"Wx12"Dx42"H 2D 3S								521
W2742	27"Wx12"Dx42"H 2D 3S								564
W3042	30"Wx12"Dx42"H 2D 3S								593
W3342	33"Wx12"Dx42"H 2D 3S								640
W3642	36"Wx12"Dx42"H 2D 3S								688



Wall cabinets 12" High

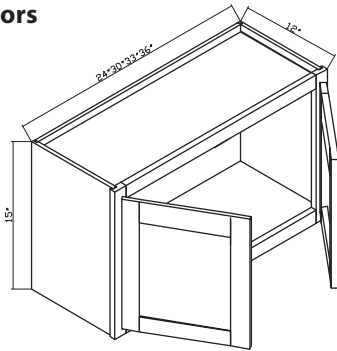
2 Doors



ITEM	Description	SR	BR	FR	GS	ES	AR	AW	ER
W3012	30"Wx12"Dx12"H 2D	136	176	178	178	205	205	205	230
W3312	33"Wx12"Dx12"H 2D	173	190	190	190	218	218	218	245
W3612	36"Wx12"Dx12"H 2D	179	205	200	200	230	230	230	258

Wall cabinets 15" High

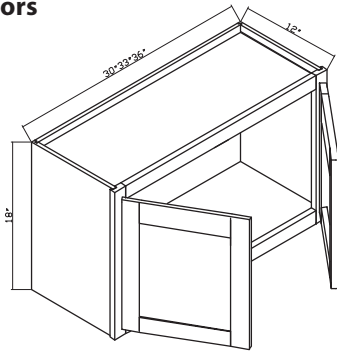
2 Doors



ITEM	Description	SR	BR	FR	GS	ES	AR	AW	ER
W2415	24"Wx12"Dx15"H 2D	136	188	180	180	206	206	206	232
W3015	30"Wx12"Dx15"H 2D	140	162	200	200	230	230	230	258
W3315	33"Wx12"Dx15"H 2D	179	202	216	216	248	248	248	279
W3615	36"Wx12"Dx15"H 2D	198	224	220	220	253	253	253	284

Wall cabinets 18" High

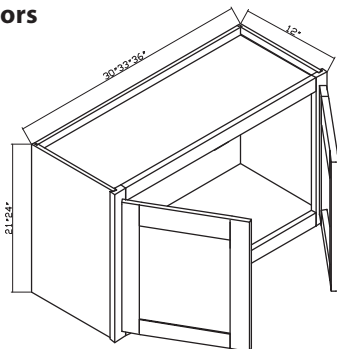
2 Doors



ITEM	Description	SR	BR	FR	GS	ES	AR	AW	ER
W3018	30"Wx12"Dx18"H 2D	168	182	220	220	253	253	253	284
W3318	33"Wx12"Dx18"H 2D	230	235	235	235	270	270	270	303
W3618	36"Wx12"Dx18"H 2D	236	241	250	250	287	287	287	322

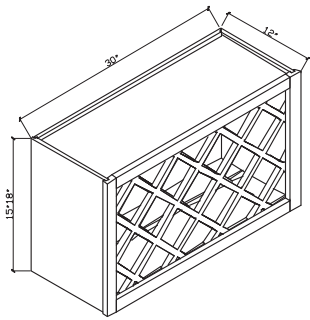
Wall cabinets 21" High/24" Hight

2 Doors



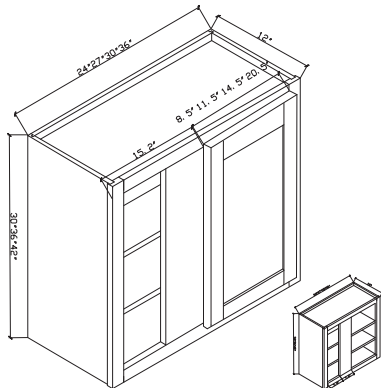
ITEM	Description	SR	BR	FR	GS	ES	AR	AW	ER
W3021	30"Wx12"Dx21"H 2D 1S	239	276	276	276	317	317		356
W3321	33"Wx12"Dx21"H 2D 1S	259	295	295	295	339	339		380
W3621	36"Wx12"Dx21"H 2D 1S	278	315	315	315	363	363		407
W3024	30"Wx12"Dx24"H 2D 1S	255	270	286	286	337	337	337	376
W3324	33"Wx12"Dx24"H 2D 1S	265	299	315	315	359	359	359	400
W3624	36"Wx12"Dx24"H 2D 1S	281	310	315	315	363	363	363	407

Wine Rack



ITEM	Description	SR	BR	FR	GS	ES	AR	AW	ER
WWR3015	30"Wx12"Dx15"H	219	359			322	322	322	369
WWR3018	30"Wx12"Dx18"H	239	456	295	295	352	352	352	404
SGR	Stem Glass Holder		131	154	154	168	168	168	168

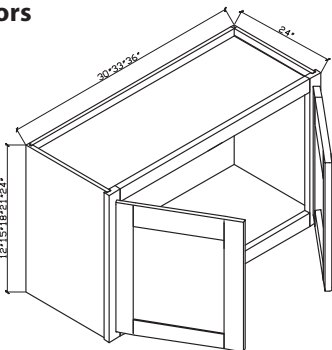
Wall Blind Cabinets



ITEM	Description	SR	BR	FR	GS	ES	AR	AW	ER
BLW3030	30"Wx12"Dx30"H 1D 2S		343						
BLW3042	30"Wx12"Dx42"H 1D 3S		481						
BLW3036	30"Wx12"Dx36"H 1D 2S		394						
BLW3630	36"Wx12"Dx30"H 1D 2S	371							
BLW3636	36"Wx12"Dx36"H 1D 2S								
BLW3642	36"Wx12"Dx42"H 1D 2S								

24" Deep Wall Cabinets

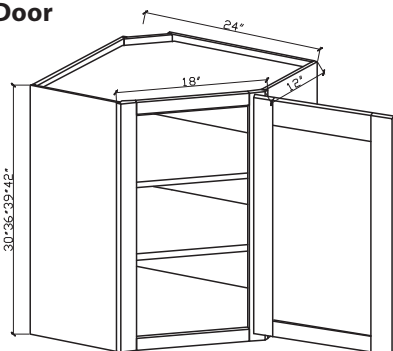
2 Doors



ITEM	Description	SR	BR	FR	GS	ES	AR	AW	ER
W301224	30"Wx12"Hx24"D 2D	204	240	295	295	339	339	339	380
W301524	30"Wx15"Hx24"D 2D 1S		247	299	299	344	344	344	386
W302424	30"Wx24"Hx24"D 2D 1S			326	326	374	374	374	420
W331224	33"Wx12"Hx24"D 2D			303	303	326	326	326	
W331524	33"Wx15"Hx24"D 2D 1S			282	282				
W361224	36"Wx12"Hx24"D 2D 1S	265	275	270	270	311	311	311	348
W361524	36"Wx15"Hx24"D 2D 1S		279	299	299	344	344	344	386
W361824	36"Wx18"Hx24"D 2D 1S		286	300	300	402	402	402	462
W362124	36"Wx21"Hx24"D 2D 1S	370		368	368	423	423	423	474
W362424	36"Wx24"Hx24"D 2D 1S		302	368	368	423	423	423	475

Wall Diagonal Cabinets

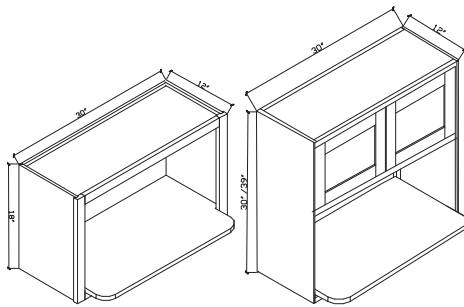
1 Door



ITEM	Description	SR	BR	FR	GS	ES	AR	AW	ER
WDC2430	24"Wx24"Dx30"H 1D 2S	265	371	394	394	453	453	453	508
WDC2436	24"Wx24"Dx36"H 1D 2S		440					567	
WDC2439	24"Wx24"Dx39"H 1D 2S	410		493	493	567	567		636
WDC2442	24"Wx24"Dx42"H 1D 3S		504					640	



Microwave Wall Cabinet

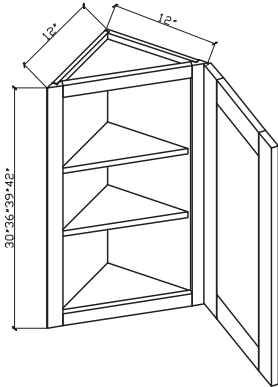


MW3018

MW3030 - MW3036 - MW3039

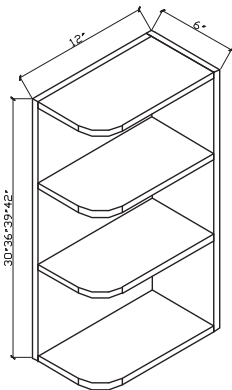
ITEM	Description	SR	BR	FR	GS	ES	AR	AW	ER
MW3018	30"Wx18"Hx12"D	291	265	297	297	300	300	300	360
MW3030	30"Wx30"Hx12"D	311	311	367	367	407	407	407	
MW3036	30"Wx36"Hx12"D		412					418	
MW3039	30"Wx39"Hx12"D	416		450	450	426	426		493

Wall End 24



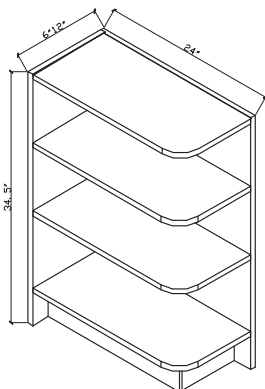
ITEM	Description	SR	BR	FR	GS	ES	AR	AW	ER
WEC1230	12"Wx30"H 1S 1D	280	227	325	325	315	315	315	362
WEC1236	13"Wx36"H 1S 1D		284					394	
WEC1239	12"Wx39"H 1S 1D	392		395	395	394	394		494
WEC1242	14"Wx42"H 1S 1D		354					492	

Corner Shelf Top Plate



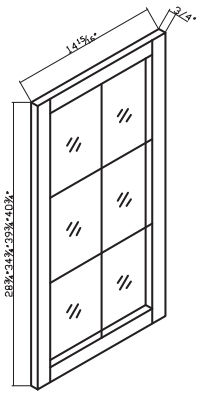
ITEM	Description	SR	BR	FR	GS	ES	AR	AW	ER
CS630	06"Wx12"Dx30"H 4S	174	121	220	220	253	253	253	284
CS636	06"Wx12"Dx36"H 4S		142					209	
CS639	06"Wx12"Dx39"H 4S	257		260	260	299	299		335
CS642	06"Wx12"Dx42"H 5S		163					277	

Corner Shelf Base Plate



ITEM	Description	SR	BR	FR	GS	ES	AR	AW	ER
BES06	06"Wx24"Dx30"H 4S	371	460	460	486	486	486	486	520
BES12	12"Wx24"Dx30"H 4S	418	518	518	548	548	548	548	587

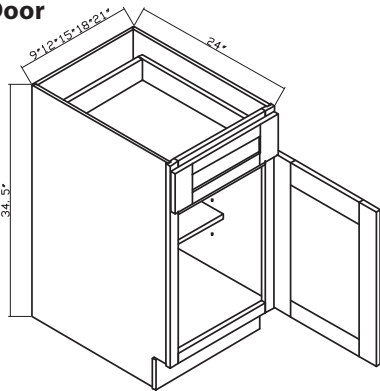
MULLION DOORS



ITEM	Description	SR	BR	FR	GS	ES	AR	AW	ER
WDC2430MD	1 Mullion Door 14 ¹ / ₈ "Wx28 ³ / ₄ "Hx ³ / ₄ "D	132	142	127	127	146	146	146	164
WDC2436MD	1 Mullion Door 14 ¹ / ₈ "Wx34 ³ / ₄ "Hx ³ / ₄ "D		174					258	
WDC2439MD	1 Mullion Door 14 ¹ / ₈ "Wx39 ³ / ₄ "Hx ³ / ₄ "D	157		180	180	206	206		232
WDC2442MD	1 Mullion Door 14 ¹ / ₈ "Wx40 ³ / ₄ "Hx ³ / ₄ "D		198					289	

Base Cabinets 34 1/2" H x 24" Deep

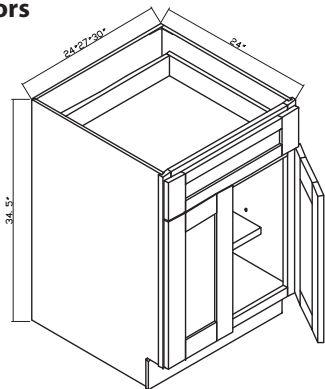
1 Door



ITEM	Description	SR	BR	FR	GS	ES	AR	AW	ER
B09	09"Wx24"Dx34 ¹ / ₂ "H 1D 1DR 1S	184	216	262	262	301	301	301	337
B12	12"Wx24"Dx34 ¹ / ₂ "H 1D 1DR 1S	188	243	295	295	339	339	339	380
B15	15"Wx24"Dx34 ¹ / ₂ "H 1D 1DR 1S	213	258	308	308	354	354	354	398
B18	18"Wx24"Dx34 ¹ / ₂ "H 1D 1DR 1S	229	268	323	323	371	371	371	416
B21	21"Wx24"Dx34 ¹ / ₂ "H 1D 1DR 1S	264	296	365	365	420	420	420	471

Base Cabinets 34 1/2" H x 24" Deep

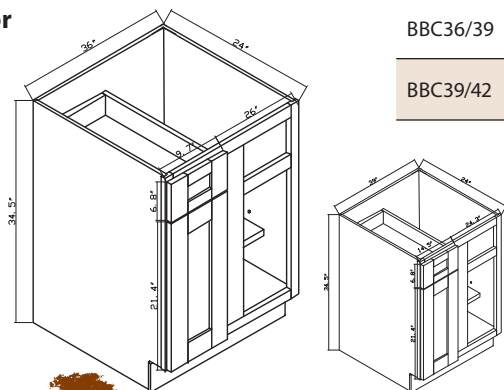
2 Doors



ITEM	Description	SR	BR	FR	GS	ES	AR	AW	ER
B24	24"Wx24"Dx34 ¹ / ₂ "H 2D 1DR 1S	275	330	393	393	452	452	452	506
B27	27"Wx24"Dx34 ¹ / ₂ "H 2D 1DR 1S	312	371	422	422	485	485	485	544
B30	30"Wx24"Dx34 ¹ / ₂ "H 2D 2DR 1S	348	401	492	492	566	566	566	635
B33	33"Wx24"Dx34 ¹ / ₂ "H 2D 2DR 1S	367	424	514	514	591	591	591	663
B36	36"Wx24"Dx34 ¹ / ₂ "H 2D 2DR 1S	372	443	537	537	618	618	618	693

Blind Base Cabinets

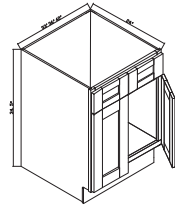
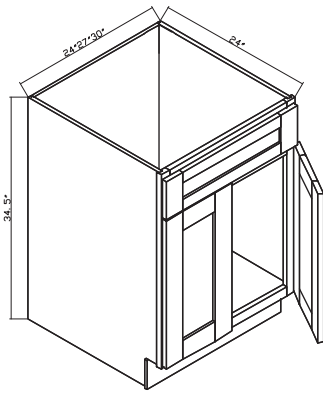
1 Door



ITEM	Description	SR	BR	FR	GS	ES	AR	AW	ER
BBC36/39	36"Wx24"Dx34 ¹ / ₂ "H 1D 1DR 1S	298	420	552	552	634	634	634	712
BBC39/42	39"Wx24"Dx34 ¹ / ₂ "H 1D 1DR 1S	309	445	558	558	641	641	641	719

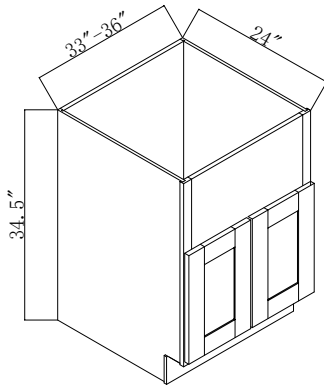


Sink Base Cabinets



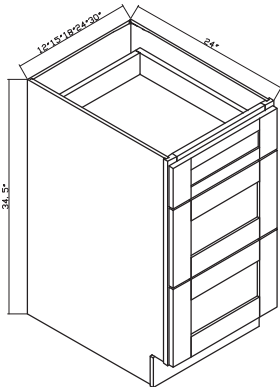
ITEM	Description	SR	BR	FR	GS	ES	AR	AW	ER
SB24	24"Wx24"Dx34½"H 2D 1H	224	318	369	369	425	425	425	476
SB27	27"Wx24"Dx34½"H 2D 1H	265	277	388	388	446	446	446	501
SB30	30"Wx24"Dx34½"H 2D 2H	280	308	401	401	462	462	462	518
SB33	33"Wx24"Dx34½"H 2D 2H	292	336	416	416	478	478	478	537
SB36	36"Wx24"Dx34½"H 2D 2H	315	351	434	434	499	499	499	559

Farmer Sink Base



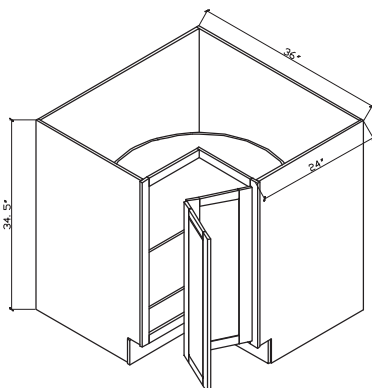
ITEM	Description	SR	BR	FR	GS	ES	AR	AW	ER
FSB36	36"Wx24"Dx34½"H			622	622	715	715	715	802

Drawer Base Units



ITEM	Description	SR	BR	FR	GS	ES	AR	AW	ER
DB12-3	12"Wx34½"Hx24"D 3DR	315	312	515	515	593	593	593	665
DB15-3	15"Wx34½"Hx24"D 3DR	348	314	539	539	619	619	619	695
DB18-3	18"Wx34½"Hx24"D 3DR	371	345	552	552	634	634	634	712
DB21-3	21"Wx34½"Hx24"D 3DR			566	566	651	651	651	731
DB24-3	24"Wx34½"Hx24"D 3DR	443	403	595	595	685	685	685	768
DB30-3	30"Wx34½"Hx24"D 3DR	625	500	987	987	1135	1135	1135	1273
DB36-3	36"Wx34½"Hx24"D 3DR			1011	1011	1163	1163	1163	1305

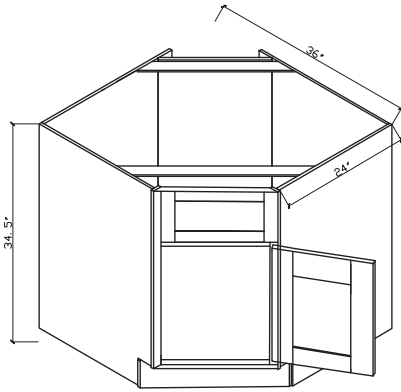
Lazy Suzan



ITEM	Description	SR	BR	FR	GS	ES	AR	AW	ER
BLS3612 Lazy Suzan	36"Wx34½"Hx24"D With Turning Table	560	640	711	711	817	817	817	917
BLS3312 Lazy Suzan	33"Wx34½"Hx24"D With Turning Table	550	630	768	768	883	883	883	990

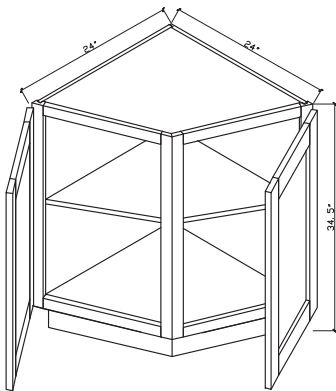
Corner Sink Base

ITEM	Description	SR	BR	FR	GS	ES	AR	AW	ER
BEC36	36"x36"x34½"H	560	593	717	717	824	824	824	924



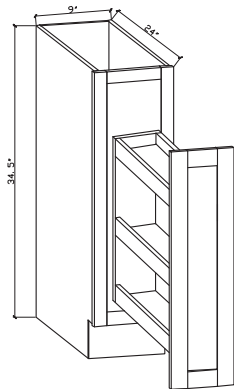
Base End 24

ITEM	Description	SR	BR	FR	GS	ES	AR	AW	ER
BEC24	24"x24"x34½"H	472	609	717	717	824	824	824	924



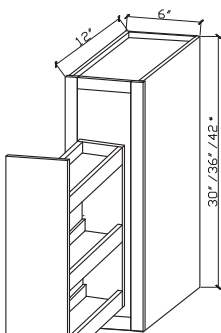
Base Spice Rack

ITEM	Description	SR	BR	FR	GS	ES	AR	AW	ER
BSP09	9"Wx34½"H	207	370	714	714	821	821	821	921

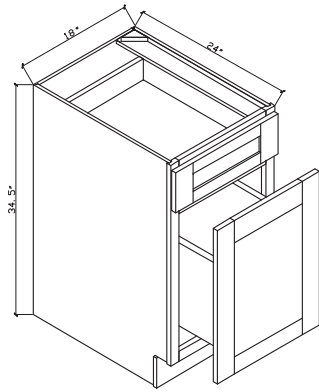


Wall Spice Rack

ITEM	Description	SR	BR	FR	GS	ES	AR	AW	ER
WSP30	6"Wx30"Hx22"D	214	280	280	360	360	360	360	390
WSP36	6"Wx36"Hx22"D	224			370	370	370		
WSP39	6"Wx39"Hx22"D			314	314				
WSP42	6"Wx42"Hx22"D	267	324	324	390	390	390		

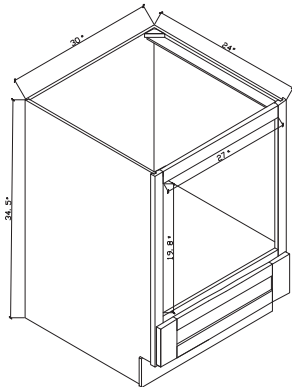


Base Cabinet with Garbage Roll Out



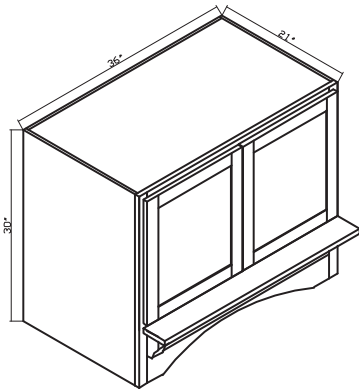
ITEM	Description	SR	BR	FR	GS	ES	AR	AW	ER
BT18	18"Wx34½"Hx24"D Set of 2 plastic bins \$25 net	418	418	798	798	918	918	918	1030

Base Microwave cabinet



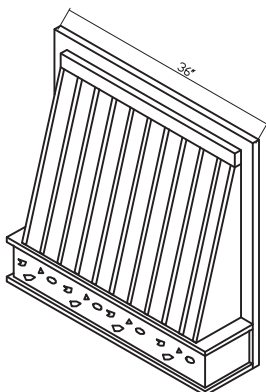
ITEM	Description	SR	BR	FR	GS	ES	AR	AW	ER
BMC30	30"Wx34½"Hx24"D	427	458	506	506	582	582	582	653

Manor Hood



ITEM	Description	SR	BR	FR	GS	ES	AR	AW	ER
HC36 Manor Hood	36"Wx30"Hx21"D	1444	1959	1959	2101	2101	2101	2101	2418

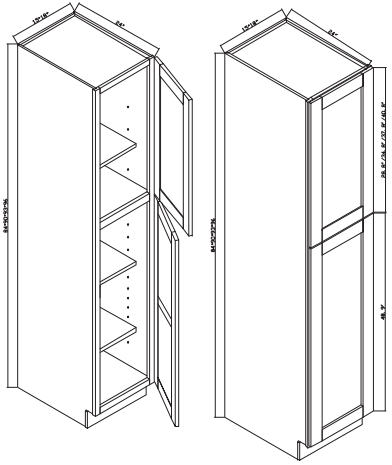
English Hood



ITEM	Description	SR	BR	FR	GS	ES	AR	AW	ER
WHF36 English Hood		615				851	851	851	970

Pantry & Utility Cabinets

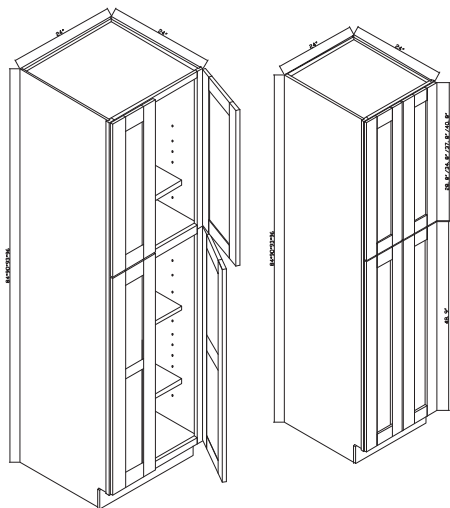
2 Doors



ITEM	Description	SR	BR	FR	GS	ES	AR	AW	ER
WP152484	15"Wx24"Dx84"H 2D 4S	590	624	793	793	911	911	911	1022
WP152490	15"Wx24"Dx90"H 2D 4S	639						1139	
WP152493	15"Wx24"Dx93"H 2D 4S	649	851	851	979	979	1098		
WP152496	15"Wx24"Dx96"H 2D 4S	769						1165	
WP182484	18"Wx24"Dx84"H 2D 4S	617	564	887	887	1021	1021	1021	1145
WP182490	18"Wx24"Dx90"H 2D 4S	569						1329	
WP182493	18"Wx24"Dx93"H 2D 4S	689	953	953	1096	1096	1229		
WP182496	18"Wx24"Dx96"H 2D 4S	806						1374	

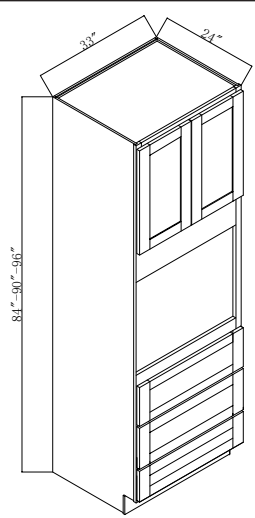
Pantry & Utility Cabinets

4 Doors



ITEM	Description	SR	BR	FR	GS	ES	AR	AW	ER
WP242484	24"Wx24"Dx84"H 4D 4S	664	601	1017	1017	1170	1170	1170	1312
WP242490	24"Wx24"Dx90"H 4D 4S	604						1561	
WP242496	24"Wx24"Dx96"H 4D 4S	1123						1277	
WP242493	24"Wx24"Dx93"H 4D 4S	992	1111	1111	1688	1688	1433		

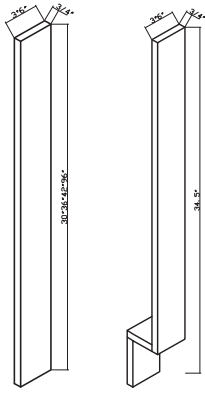
Double Oven Cabinets



ITEM	Description	SR	BR	FR	GS	ES	AR	AW	ER
OC332484	(1 oven, can be modified to 2)	1450	1476	1531	1531	1761	1761	1761	1975
OC332490	(1 oven, can be modified to 2)	1545						2608	
OC332493	(1 oven, can be modified to 2)	1589	1654	1654	1902	1902	2133		
OC332496	(1 oven, can be modified to 2)	1601						2872	

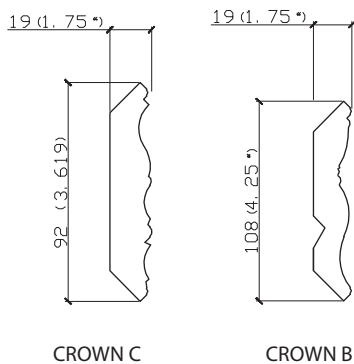


Accessories - Fillers



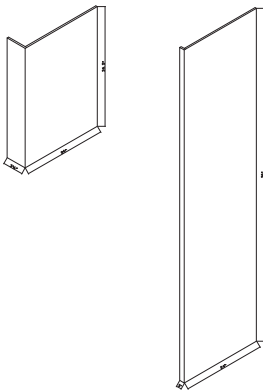
ITEM	Description	SR	BR	FR	GS	ES	AR	AW	ER
WF3	Wall Filler 30"x3"	16	19	32	32	37	37	37	41
WF6	Wall Filler 30"x6"	30	37	96	96	111	111	111	124
WF42	Filler strip (wall) 3"Wx42"Hx3/8"D	30	37	50	50	57	57	57	64
BF3	Base Filler 3"x34 1/2"x5/8"	27	29	72	72	82	82	82	92
BF6	Base Filler 6"x34 1/2"x5/8"	55	66	149	149	171	171	171	192
FS-330FL	Fluted Filler 3"x30"	36				44	44	44	44
FS-336FL	Fluted Filler 3"x36"	40				43	43	43	43
FS-342FL	Fluted Filler 3"x42"	49				55	55	55	55
BF-3FL	Base Filler Fluted Filler 3"x34 1/2"	50				60	60	60	60
FS-396FL	Fluted Filler 3"x96"	130				157	157	157	157
TF 3"x96"	Tall Filler 3"x96"	60	80	108	108	124	124	124	139
TF 6"x96"	Tall Filler 6"x96"	120	140	212	212	243	243	243	273

Accessories - Moldings



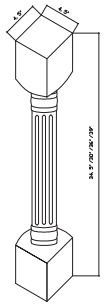
ITEM	Description	SR	BR	FR	GS	ES	AR	AW	ER
CROWN C	8'Lx3 1/2"Wx3/4"D	92	95	108	108	125	125	125	139
CROWN B with rope	8'Lx3 1/2"Wx3/4"D	185	185	185	185	185	185	185	185
RM	ROPE MOLDING 3/4"Wx8'L	56						79	79
OCM8	Outside Corner Molding 3/4"x1/4"	30	30	29	29	34	34	34	38
TLR8	Traditional Light Rail 96"Wx1"Hx1 1/8"D	98	90	118	118	136	136	136	153
1" Scribe molding	1"x96"x1/4" (50 pcs.)	20	20	29	29	34	34	34	38
CB10	Colonial base 10 4 1/2"x3/4"x8	130	130	130	130	140	140	140	140

Accessories - Panels



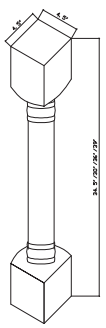
ITEM	Description	SR	BR	FR	GS	ES	AR	AW	ER
DEP3	Dishwasher end panel 34 1/2"Hx24"Dx3"W	56	80	117	117	134	134	134	151
DEP6	Dishwasher end panel 34 1/2"Hx24"Dx6"W	77	128	145	145	166	166	166	186
PLY4x8S	PLYWOOD sheet 4'x8'x1/4"	169	175	247	247	284	284	284	318
REP 3"x96"	refrigerator end panel 24"Wx96"Hx3"TH	163	215	349	349	401	401	401	450
TK8	Toe Kick 8"plywood 4 3/8"Wx96"Hx1/8"D	21	18	72	72	82	82	82	92

Wall Posts - Full Post Fluted



ITEM	Description	SR	BR	FR	GS	ES	AR	AW	ER
WPP30-2	30"Hx4½"Dx4½"W	290	290	290	290	290	290	290	290
WPP36-2	36"Hx4½"Dx4½"W	314	314	314	314	314	314	314	314
WPP39-2	39"Hx4½"Dx4½"W	360	360	360	360	360	360	360	360
WPP42-2	42"Hx4½"Dx4½"W	375	375	375	375	375	375	375	375

Wall Posts - Full Post Plain



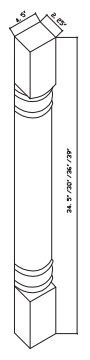
ITEM	Description	SR	BR	FR	GS	ES	AR	AW	ER
WPP30-1	30"Hx4½"Dx4½"W	285	285	285	285	285	285	285	285
WPP36-1	36"Hx4½"Dx4½"W	304	304	304	304	304	304	304	304
WPP39-1	39"Hx4½"Dx4½"W	352	352	352	352	352	352	352	352
WPP42-1	42"Hx4½"Dx4½"W	368	368	368	368	368	368	368	368

Wall Posts - Split Post Fluted



ITEM	Description	SR	BR	FR	GS	ES	AR	AW	ER
WPF30-2	30"Hx2½"Dx4½"W	214	214	214	214	214	214	214	214
WPF36-2	36"Hx2½"Dx4½"W	248	248	248	248	248	248	248	248
WPF39-2	39"Hx2½"Dx4½"W	275	275	275	275	275	275	275	275
WPF42-2	42"Hx2½"Dx4½"W	315	315	315	315	315	315	315	315

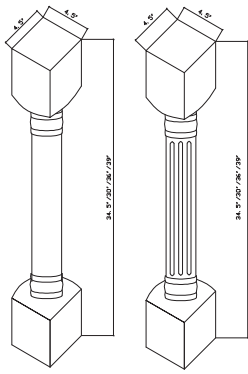
Wall Posts - Split Post Plain



ITEM	Description	SR	BR	FR	GS	ES	AR	AW	ER
WPF30-1	30"Hx2½"Dx4½"W	204	204	204	204	204	204	204	204
WPF36-1	36"Hx2½"Dx4½"W	238	238	238	238	238	238	238	238
WPF39-1	39"Hx2½"Dx4½"W	265	265	265	265	265	265	265	265
WPF42-1	42"Hx2½"Dx4½"W	305	305	305	305	305	305	305	305

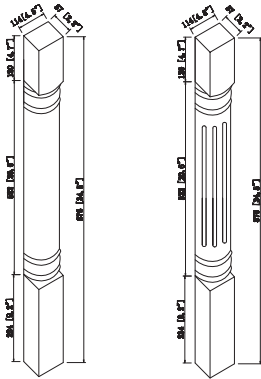


Base Posts - Full Base Post



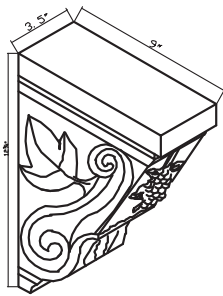
ITEM	Description	SR	BR	FR	GS	ES	AR	AW	ER
BPP-2	34 1/2"Hx4 1/2"Dx4 1/2"W Fluted		314	314	314	314	314	314	314
BPP-1	34 1/2"Hx4 1/2"Dx4 1/2"W Plain		304	304	304	304	304	304	304

Base Posts - Split Base Post

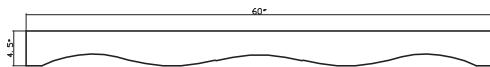


ITEM	Description	SR	BR	FR	GS	ES	AR	AW	ER
BPF-2	34 1/2"Hx2 1/2"Dx4 1/2"W Fluted		274	274	274	274	274	274	274
BPF-1	34 1/2"Hx2 1/2"Dx4 1/2"W Plain		264	264	264	264	264	264	264

Accessories - Decoratives



Grape Corbel



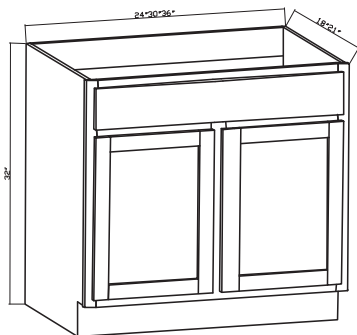
VAS60



VAL1-60

ITEM	Description	SR	BR	FR	GS	ES	AR	AW	ER
GRAPE CORBEL	Grape Corbel 12 3/4"Hx9"Dx3 1/2"W		331			345	345	345	
LONLAYGR	LARGE GRAPE ONLAY 20"Lx41/2"Hx5/8"TH					172	172	172	
VAS60	4 1/2"x60" Wavy Valance	75	75	75	75	75	75	75	75
VAL1-30	30"W Arched Valance	115	115	115	115	115	115	115	115
VAL1-48	48"W Arched Valance	125	125	125	125	125	125	125	125
VAL1-60	60"W Arched Valance	145	145	145	145	145	145	145	145

Accessories - Vanities



ITEM	Description	SR	BR	FR	GS	ES	AR	AW	ER
SM1926	Mirror 3 1/2" deep								
TRV2424	Mirror 3 1/2" deep								
VA1816	18"Wx16"Dx30"H 1D 1H	159	213	201	201	385	385	385	
VA2418	24"Wx18"Dx30"H 2D 1H	218	258	243	243	408	408	408	
VA3018	30"Wx18"Dx30"H 2D 1H	232	275	261	261	405	405	405	
VA2421	24"Wx21"Dx30"H 2D 1H	229	313	325	325	431	431	431	
VA3021	30"Wx21"Dx30"H 2D 1H	254	340	398	398	557	557	557	
VA3621	36"Wx21"Dx30"H 2D 1H	298	365	410	410	565	565	565	
VDB1221-3	12"Wx21"Dx30"H 3 DR	342	633	633	455	455	455	455	



Deco Doors



ITEM	Description	SR	BR	FR	GS	ES	AR	AW	ER
OVDB	Base Deco Door	220	220	682	682	784	784	784	879
OVDW30	30"H Wall Deco Door	185	185	269	269	309	309	309	346
OVDW36	36"H Wall Deco Door		200					200	
OVDW39	39"H Wall Deco Door	200		323	323	371	371		416
OVDW42	42"H Wall Deco Door		210						215

MODIFICATIONS

ITEMS	DESCRIPTION	NET PRICE
M-SBCUT	SINK BASE CABINET CUT DEPTH	\$125
M-BCUT	BASE CABINET CUT DEPTH	\$150
M-DBCUT	DRAWER BASE CABINET CUT DEPTH	\$200
M-WCUT	WALL CABINET CUT DEPTH	\$125
M-TCUT	TALL CABINET CUT DEPTH	\$200
M-BCUTCHASE	BASE CABINET CHASE	\$175
M-SBCUTCHASE	SINK BASE CABINET CHASE	\$150
M-CUTTKBASE	CUT TOE KICK	\$75
M-SHELF PINS	SHELF PINS	\$0.50/EACH
M-HINGE	6 WAY ADJUSTABLE HINGE	\$9/EACH
M-SOFTCLOSETRACKSET	SOFT CLOSE SLIDE SET	\$28
M-SIDEMOUNTTRACKSET	SIDE MOUNT FULL EXT SLIDE SET	\$28
GD-ANYSIZE	CLEAR GLASS DOOR	\$125
SAMPLE DOOR	SAMPLE DOOR	\$25
BUMPER	BUMPER	\$0.50/EACH
FSB-MOIFY	FARM SINK	\$225
TOUCHUP	TOUCH UP KIT	\$20
SPRAY	SPRAY	\$36
BMC-MOIFY	BASE MICROWAVE	\$225



GENERAL INFORMATION

- All lines are soft close drawers and doors
- 7/15/23 This Price List Supersedes ALL Previous

TERMS AND CONDITIONS

DELIVERY

Delivery is 5% with minimum of \$125 on all orders in NJ & CT and minimum of \$150 in NY base. Job Site Deliveries are \$245.00 in NJ and within 150 miles from our base and its curbside only.

Cabinet Assembly is \$18 per cabinets

HANDLING FEE

In order for us to keep our prices competitive All invoices incur 2.5% handling fees to offset costs of supplies, handling and shipping.

PICKUP DISCOUNT

Orders picked from our facility qualify for 2% pickup discount.

RETURN POLICY

Bear in mind that there are no returns or exchanges on any assembled cabinets.

Unassembled cabinets in their original packing material can be returned with prior authorization and a 25% restocking fee and within 60 days.

TERMS AND CONDITIONS OF SALE

- All prices are subject to change without a notice.
- All orders must be acknowledge and confirmed by us to be valid. We are not responsible for inventory shortage.
- MK wood reserve its right to terminate any customer account at management discretion and to the best interest of the company. MK Wood should not be liable or committed for any orders placed after the date the account is terminated. The customer will be notified of such action either verbally or in writing or both.
- All Products remain the property of MKWood until satisfactory payment is received and accepted by the Company. In case of any defect MK Wood Limits its responsibility to replacement of the defected part or product Keeping in mind the availability and reasonable notice, and it should not be liable for any labor costs and any other costs arising from the sale including but not limited to loss of use or installation costs or damages to any other or near by products or home fixtures. It is the customer's responsibility to verify the condition and the availability of the product prior to the installation and to determines the proper use of the product.
- After customer signs the acknowledgement the company will consider this to be a sale and any cancellation or changes except for addition will be subject to the company's return policy. Orders that are not picked up or accepted or refused delivery weather is expressed or implied will incur a storage charges of 20 per day for the first 30 days and will be disposed of after 30 days at the customer's expenses. Customer remains liable for all costs.
- By placing an order, customer acknowledge the he or she received, agreed and accepted all terms and conditions of sales contained in this agreement and any deviation must be accepted in writing by the company management and that terms and condition that are contained in this agreement supersedes any other or prior agreements and sales.
- MK wood reserve its right to change any customer payment terms at management discretion and to the interest of the company. MK Wood reserve the right to hold a fully paid for orders until other unpaid orders are fully paid for. When one of the customer's orders is not paid for all the customer's other orders become due and no orders or partial orders to be released without a full payment for all orders is received and accepted by the company.



MK WOOD Grade Cabinets (BR, FR, GS, ES, AR, AW, ER)

Doors and Drawers Fronts: the doors and drawer fronts constructed of solid birch wood. Birch wood known for the beauty of its grain as well as its durability. First, the finest birch wood is selected for the cabinetry, and then an extensive finishing process is performed. Giving the cabinetry an exquisite finish to last for years to come.

The full overlay door has a solid $\frac{5}{8}$ " thick raised center panel set in an attractive mitered corner frame. The $\frac{3}{4}$ " x 3" mitered frame has mortise and/or tendon joints which only add to the exceptional craftsmanship of these cabinets. The drawer front is a 9 piece mitered or mortised frame with recessed panel that completes the ensemble.

Hinges: 6-way adjustable hinges are standard on all cabinets, hinges open 110 degrees which include soft close mechanism .

Drawers: The designer series includes $\frac{5}{8}$ " solid wood sides with a $\frac{1}{2}$ " plywood bottom. All drawers are skillfully dovetailed to give them a strong construction, and are equipped with under mount rollers with soft close mechanism.

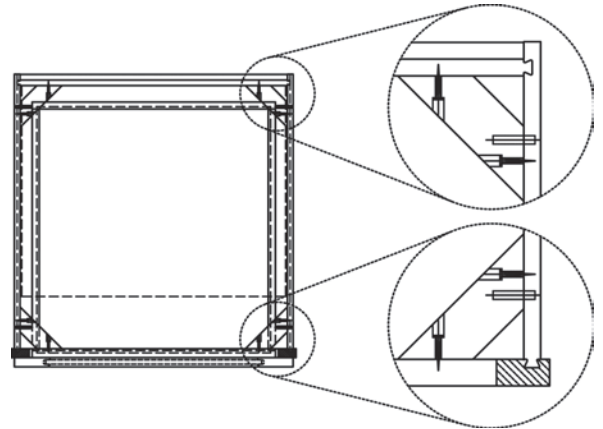
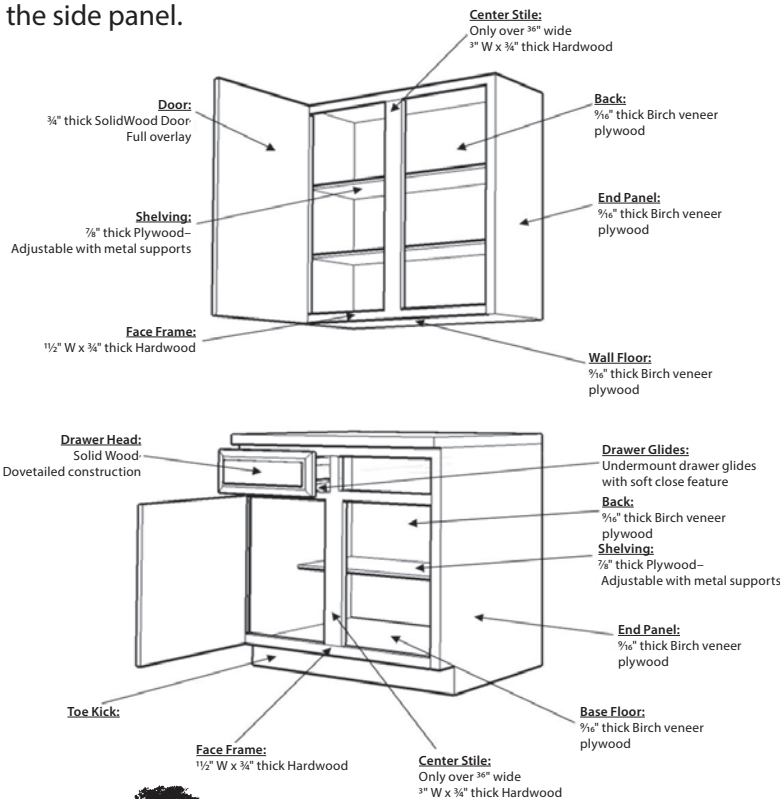
Shelving: $\frac{7}{8}$ " shelving select birch veneer plywood with matching wood veneer edge banding is used on all wall and base cabinet applications. The adjustable shelving is supported by a nickel plated shelf clip.

Backs, Tops, Bottoms: $\frac{1}{16}$ " thick birch veneer plywood sides that have dovetail engineered system that locks the plywood to the face frame for an amazingly strong union .

Face Frames: $\frac{3}{4}$ " x $1\frac{1}{2}$ " solid wood stiles and rails are joined with glue and dowels. Backs of face frames are dovetail grooved to accept side panels. The face frame is engineered so that the bottom of all bases and wall cabinets are flushed with the top inside edge of the face frame creating a custom look.

Toe kicks: $\frac{1}{16}$ " X $4\frac{1}{2}$ " birch plywood toe kick is added to each assembled cabinet and stained to match along with the edges. Additional 8" length's $\frac{1}{4}$ " plywood toe kicks are available for those who do not wish to see the joint in the cabinets.

MK Wood Cabinetry offers the latest in cabinet manufacturing with the dovetail detail that secures the face frame to the side panel.



Dovetail

- All four corners of the base cabinets are secured with wooden block screwed into each end panel at a 45 degree angle for support and mounting of a countertop. In addition a panel beam is glued and fastened into the dovetail groove at the top of each base cabinet to ensure a straight fully integrated side.

Builder Grade Cabinet (SR)

Standard Overlay cabinetry is constructed from various pieces of solid Oak wood/wood veneers, differences in grain pattern and color should be expected. Color differences in wood are the result of variations in minerals found in the soil native to the tree's origin. Absorption of these minerals will vary by tree or parts of said tree. In addition, color changes can be experienced due to different exposure to light. All species of wood will display characteristics such as knots, pinholes, sap runs, mineral streaks and darkening with age. It is the natural beauty of wood to exhibit these characteristics and they will be present throughout your cabinetry

1. Interior: Golden Oak Veneer to ½" thick plywood provides sanitary, wipe clean finish.
2. Face Frame: ¾" thick solid hardwood doweled and joint glued.
3. End Panels: ⅝" thick plywood with golden oak veneer
4. Back Panels: ⅝" thick plywood.
5. Adjustable Shelves: ⅞" thick plywood with golden oak sides with matching edgebanding. Base and wall adjustable shelves are full depth.
6. Shelf Supports: Clear, high strength plastic with locking top tab to prevent shelf tip. Provides for easy shelf adjustment.
7. Doors: Veneered Oak center panel captured in solid hardwood oak doors featuring finger pull routing or reverse bevel, eliminating the need for decorative hardware.
8. Hinges: Fully concealed, 110° opening featuring multiple adjustments for ease of alignment
9. Runners/Glides: Drawers and roll-out trays have epoxy coated, side mount.
10. Drawers & Roll-Out Trays: ⅝" thick solid hardwood, four-sided dovetail with ½" thick captured plywood floor, all finished with clear topcoat to coordinate with cabinet interior.
11. Drawer Fronts: Solid hardwood featuring finger pull routing or reversebevel, eliminating the need for decorative hardware.
12. Integral Toe Kick: ½" thick plywood secured between end panels. Provides solid backing for installation of matching toe kick or other materials such as ceramic tiles.

WARANTY CLAIM FORM



MK WOOD

MK Wood Cabinetry
55 Lathrop Road, Ext #1,
Plainfield, CT 06374

TEL: 973.450.5110

FAX: 973.450.5112

www.mkwoodcabinets.com

info@mkwoodcabinets.com

Date Reported: _____ Claim#: _____

Approved Declined

Reason: _____

Customer Name : _____

Address: _____

Telephone: _____

Customer PO#: _____

MK Invoice#: _____

Date Purchased: _____

Cabinets Size: _____

- SR** = Sunrise
- BR** = Brandy
- FR** = Frost Shaker
- GS** = Gable Gray Shaker
- ES** = Espresso Shaker
- AR** = Arctic White
- AW** = Antique White
- ER** = Elite Rope

MK Wood has the right to repair or replace at its discretion any door proven to be defected within the expressed warranty published, If you prefer a replacement only Option a fee of \$45 per door is charged to cover the cost of processing the claim.

Customer is still responsible to shipping costs and for providing requested photos and documents in timely manner.

DOOR

Scratch _____

Discoloration _____

Warped _____

Cracks _____

Pumber _____

Other _____

Repair (at NO CHARGE) _____

Peplace (\$45 Each Door) _____

CARCASE

Scratch _____

Discoloration _____

Cracks _____

Missing Parts _____

Other _____

HARDWARE

Missing Pins _____

Hinges _____

Glides _____

Other _____

Customer Signature

where
Exceptional
Quality

meets
Affordable
Pricing



MK WOOD

MK WOOD

MK Wood Cabinetry
55 Lathrop Road, Ext #1,
Plainfield, CT 06374
tel: 973.450.5110
fax: 973.450.5112
www.mkwoodcabinets.com
info@mkwoodcabinets.com

